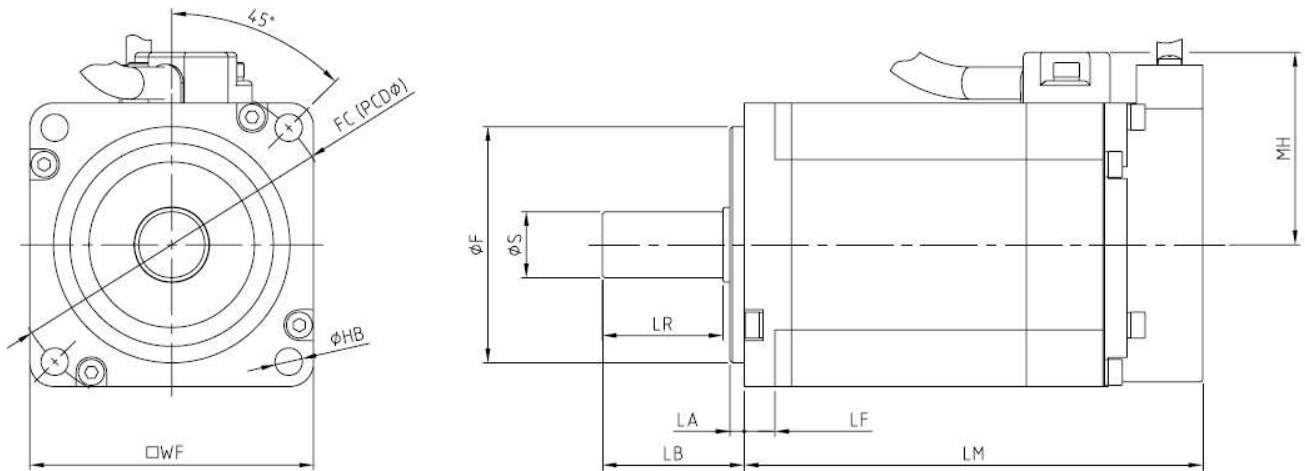


## 10.4. Motor dimensions

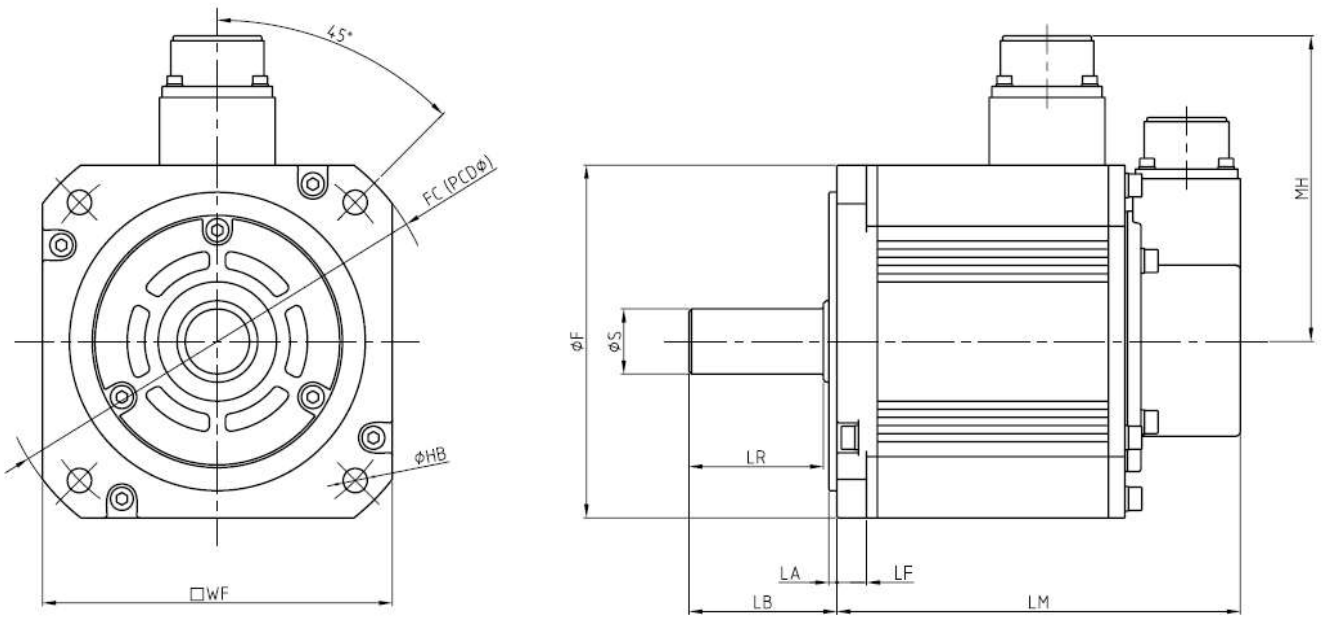
### 10.4.1. Dimensions of motors (3000rpm rated speed)



SME- L□□□30XYZU	Items dimension (mm)										
	WF	φS	φF	LA	LB	LF	LR	MH	LM(*)	FC	HB
005	40	$\varphi 8_{-0.009}^0$	$\varphi 30_{-0.03}^0$	2.5	25	5	21.5	31	64.5 (99.2)	46	2-φ4.5
010									80.0 (114.7)		
020	60	$\varphi 14_{-0.011}^0$	$\varphi 50_{-0.03}^0$	3	30	7	26	41	77.0 (112)	70	4-φ5.8
040									97.0 (132)		
L075	80	$\varphi 19_{-0.013}^0$	$\varphi 70_{-0.03}^0$	3	40	8	35.5	51	102.0 (149)	90	4-φ6.6

Note: ( ) inside value indicates the length of servo with electromagnetic brake.

### 10.4.2. Dimensions of motors (2000rpm rated speed)



SME- □□□□20XYZU	Items dimension (mm)										
	WF	$\phi S$	$\phi F$	LA	LB	LF	LR	MH	LM(*)	FC	HB
L100	130	$\phi 24 \begin{smallmatrix} 0 \\ -0.013 \end{smallmatrix}$	$\phi 110 \begin{smallmatrix} 0 \\ -0.035 \end{smallmatrix}$	3	55	11	50	113	127 (161)	145	4- $\phi 9.0$
L150									141.5 (175.5)		
L200									156 (190)		
L300									185 (219)		
M100	130	$\phi 24 \begin{smallmatrix} 0 \\ -0.013 \end{smallmatrix}$	$\phi 110 \begin{smallmatrix} 0 \\ -0.035 \end{smallmatrix}$	3	55	11	50	113	127 (161)	145	4- $\phi 9.0$
M150									141.5 (175.5)		
M200	176	$\phi 35 \begin{smallmatrix} 0 \\ -0.016 \end{smallmatrix}$	$\phi 114.3 \begin{smallmatrix} 0 \\ -0.025 \end{smallmatrix}$	3	78	18.5	74	139	139 (189)	200	4- $\phi 13.5$
M300									169 (219)		

Note: ( ) inside value indicates the length of servo with electromagnetic brake.