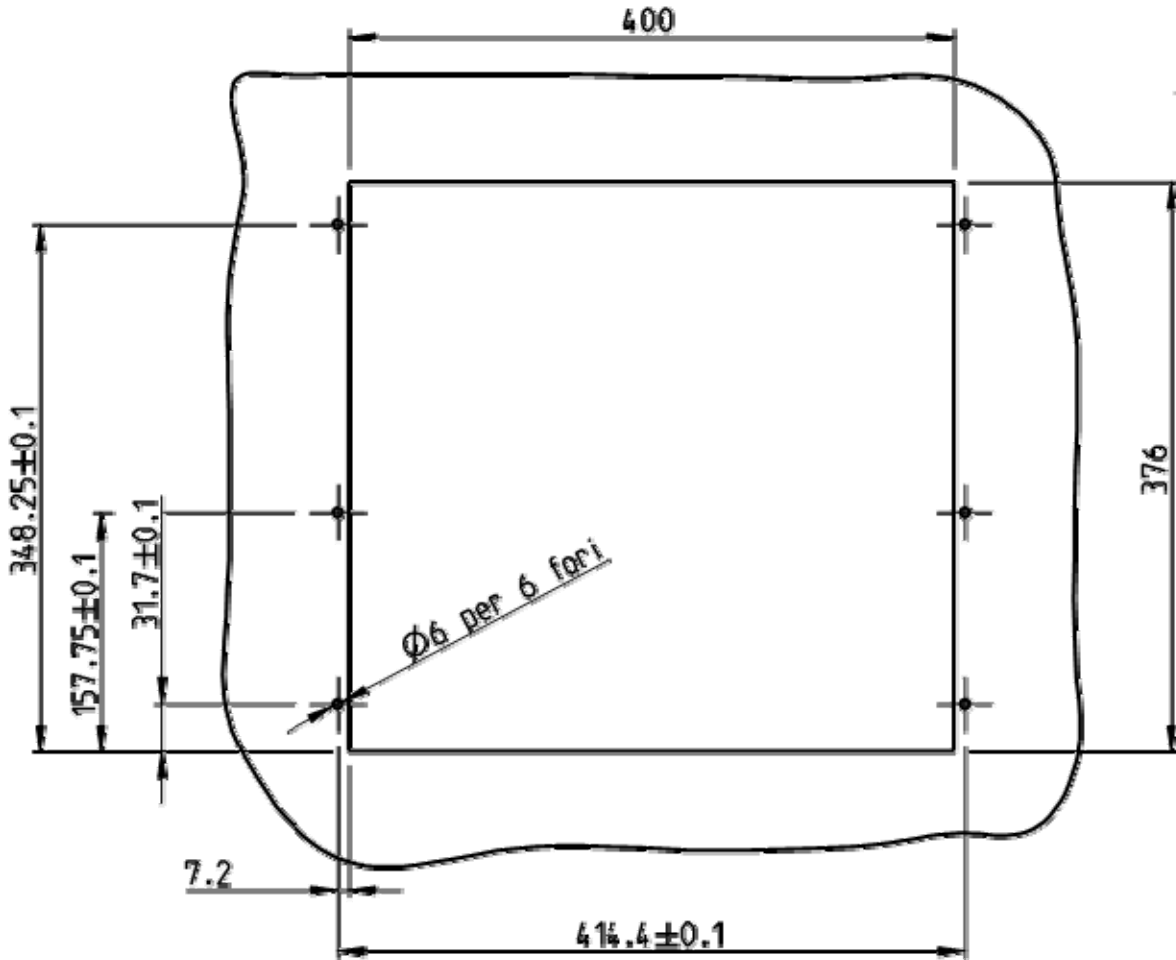


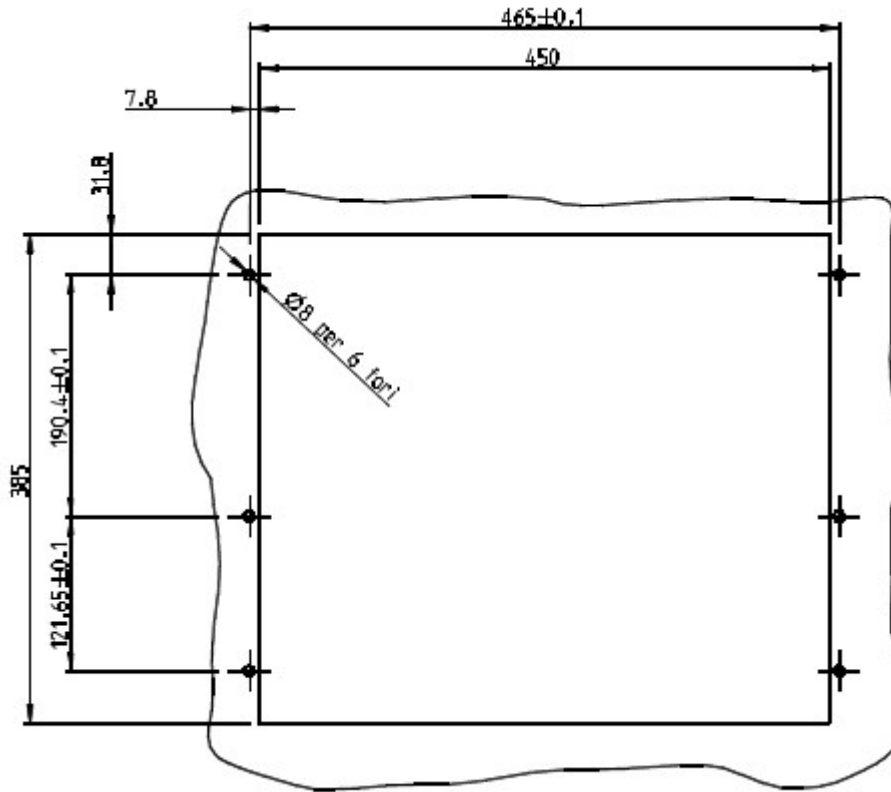
Power D 10,4" XGA, 80 keys drilling template

(Dimensions in mm)



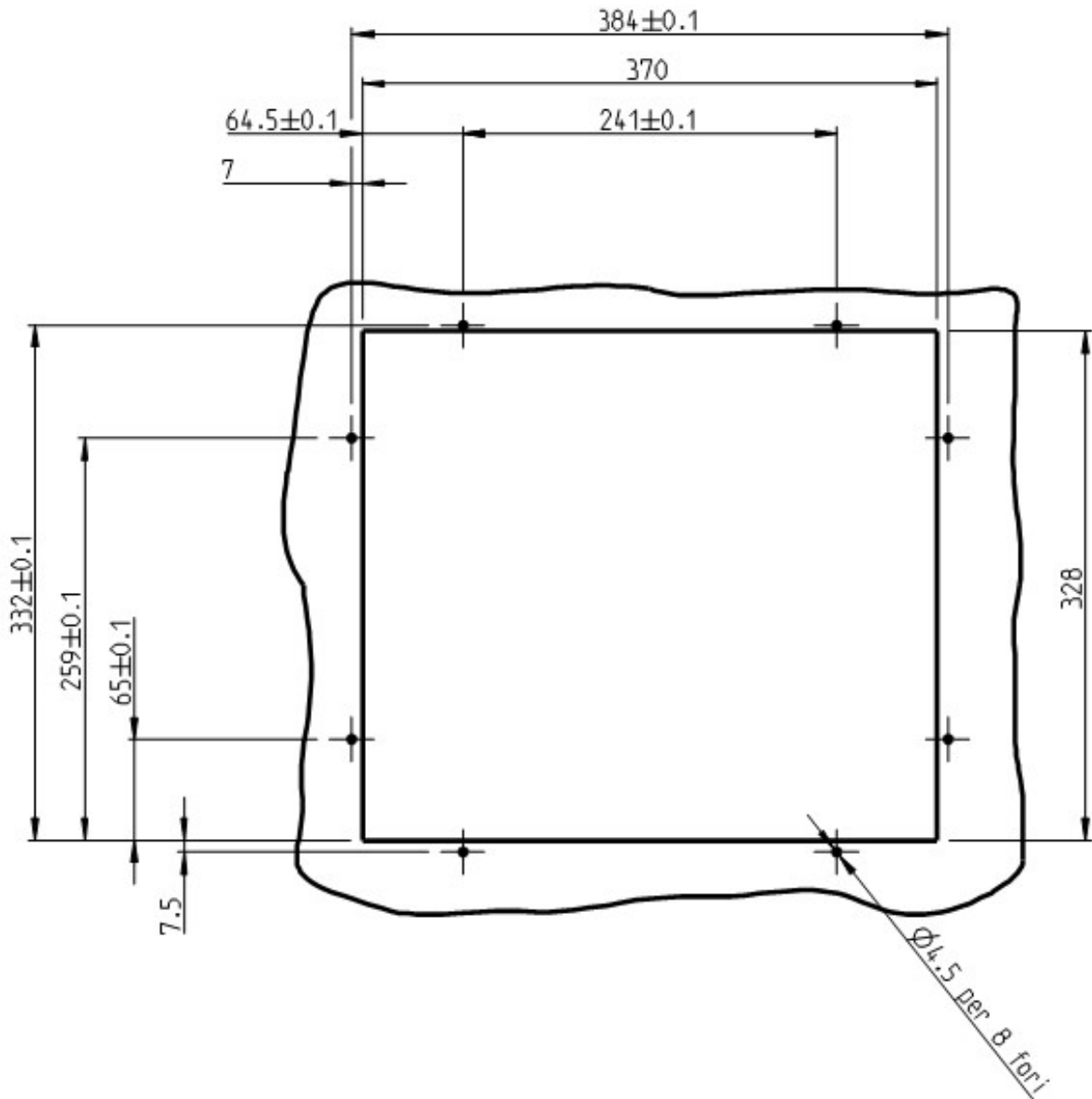
Power D 15", 80 keys drilling template

(Dimensions in mm)



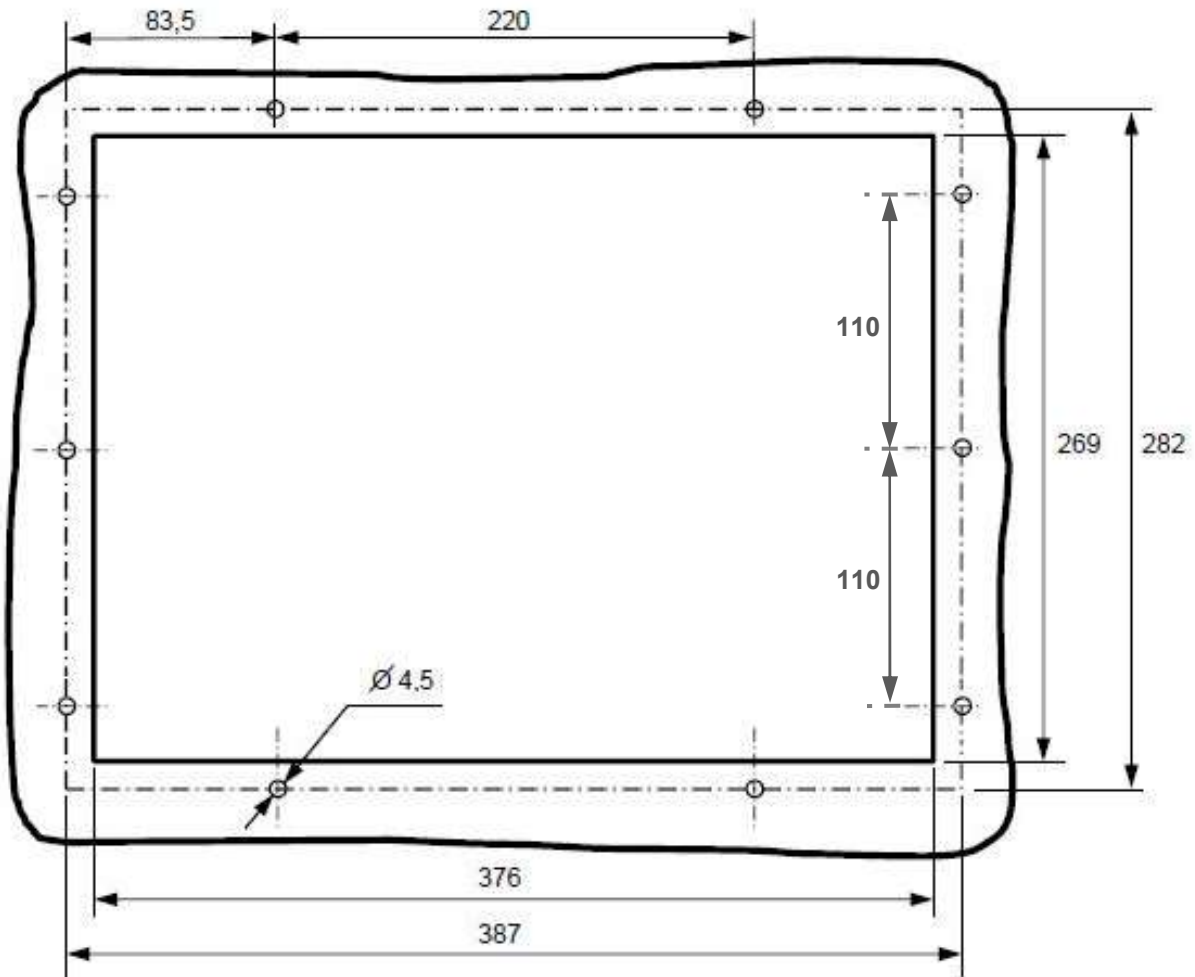
Power D 15" - 28 keys drilling template

(Dimensions in mm)



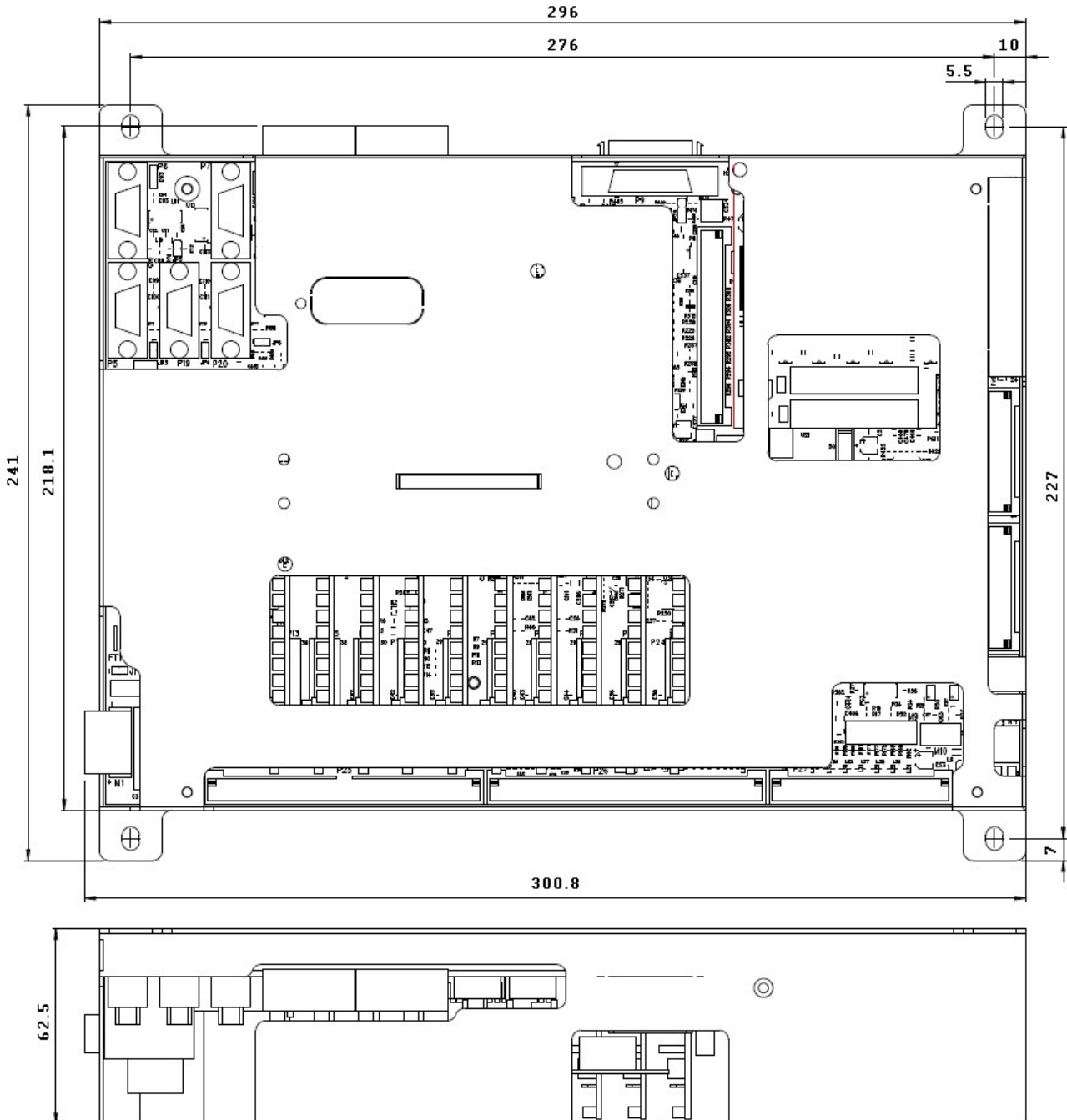
Power D 15" only touch drilling template

(Dimensions in mm)



Power D Box, without FDC expansion board, dimensions

(Dimensions in mm)



With FDC expansion board the overall height is 130 mm.

For the mounting hole positions and dimensions of other versions, refer to the Power Family html manual.

Data subject to modification without notice