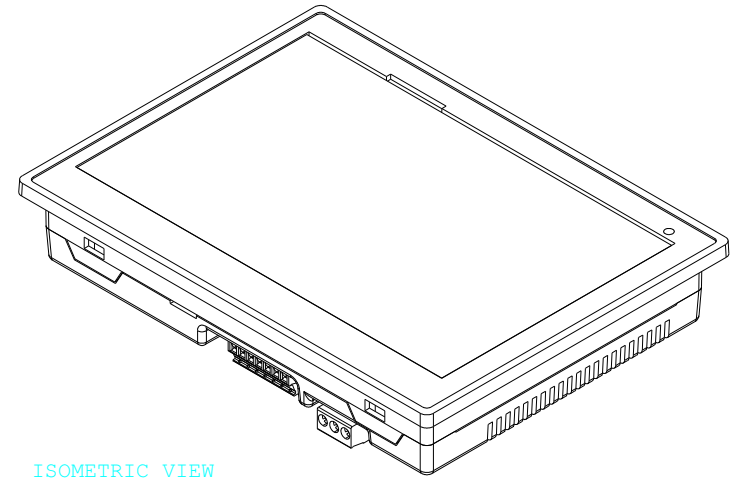
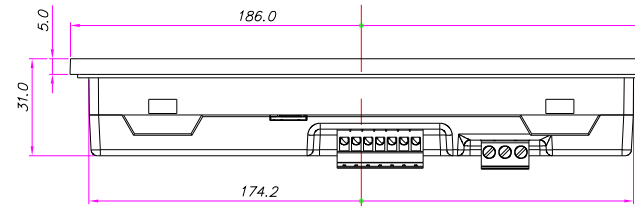


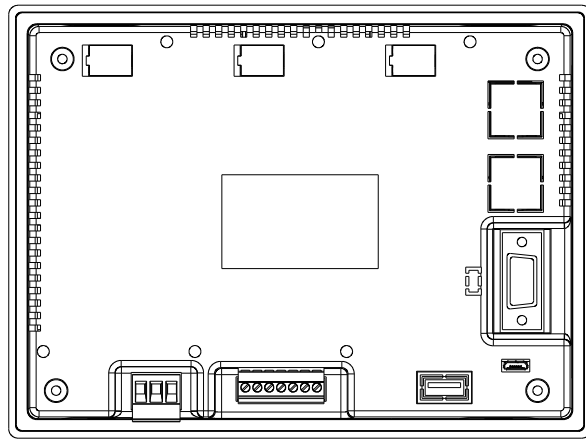
PANEL CUT-OUT DIMENSIONS



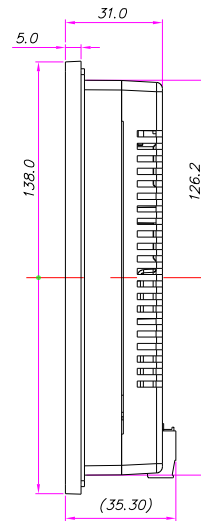
ISOMETRIC VIEW



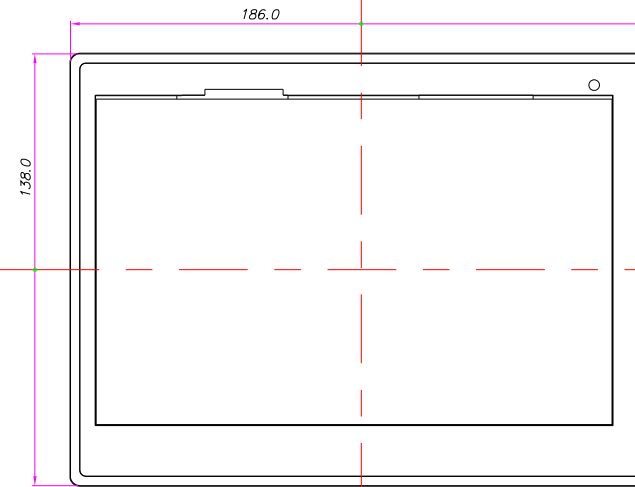
FRONT VIEW



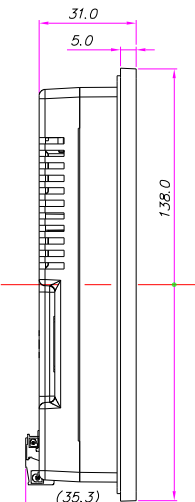
BOTTOM VIEW



RIGHT SIDE VIEW



TOP VIEW



LEFT SIDE VIEW

Renu Electronics Pvt. Ltd. Survey No.: # 2/G Near Baner Telephone Exchange Baner Pune - 411 045, ☎ +91-20-2729 2840 📠 +91-20-2729 2839 🌐 renuelectronics.com	Product Name: FP2070 & FP4070	Document No:	Prepared By: Mohan Ellinkki	"ORIGINAL" If stamped in blue ALL DIMENSIONS ARE IN MM TOLERANCE UNLESS OTHERWISE STATED : REFER GEN. TOL	PROJ FORM A2
	Part Number:	Material:	Approved By: Santosh Shinde		
	DWG. Revision: E Date: 22-02-2018	Scales: 1:1 Page: 1-1	GEN. TOL: 10 ±0.5 10.0 ±0.1 10.00 ±0.02		
	DO NOT SCALE THE DRAWING				