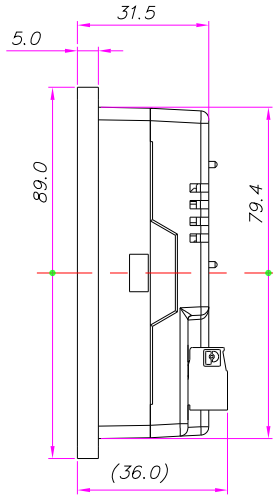
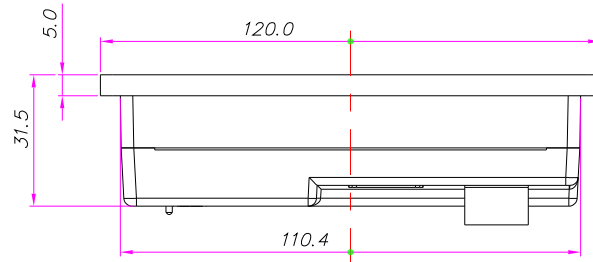


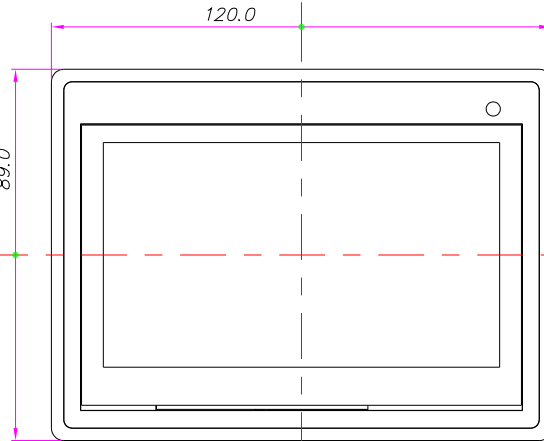
BOTTOM VIEW



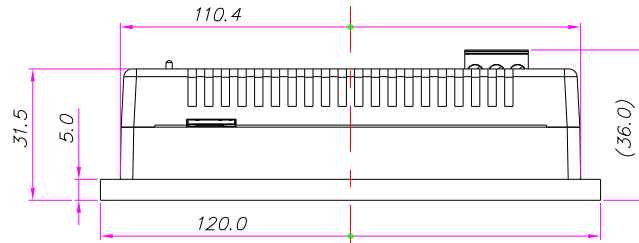
RIGHT SIDE VIEW



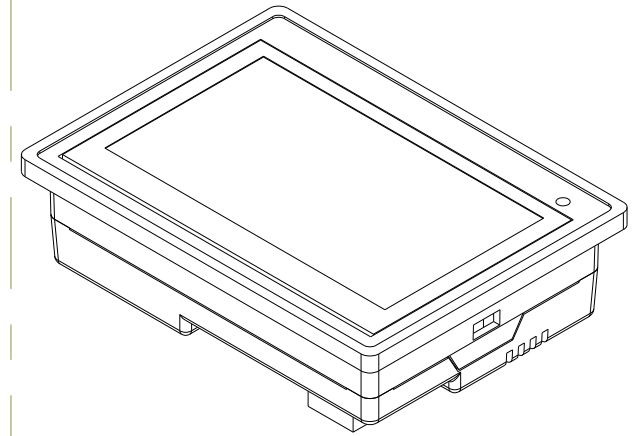
FRONT VIEW



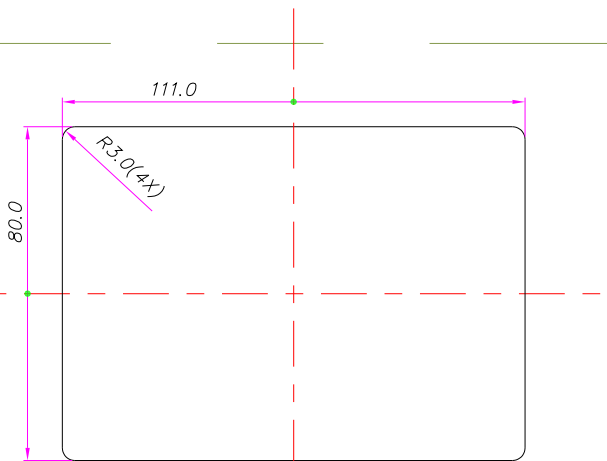
TOP VIEW



REAR VIEW



ISOMETRIC VIEW



PANEL CUT-OUT DIMENSIONS

Renu Electronics Pvt. Ltd. Survey No.: # 2/6 Near Baner Telephone Exchange Baner Pune - 411 045. ☎: +91-20-2729 2840 Fax ☎: +91-20-2729 2839 Website: renuelectronics.com	Product Name: FP2043 & FP4043	Document No:	Prepared By: Mohan Ellinki	"ORIGINAL" if stamped in blue ALL DIMENSIONS ARE IN MM TOLERANCE UNLESS OTHERWISE STATED : REFER GEN. TOL	PROJ FORM A2
	Part Number:	Material:	Approved By: Santosh Shinde		
	DWG. Revision: E Date : 22-02-2018	Scale: 1:1 Page: 1-1	GEN. TOL: 10 ±0.5 10.0 ±0.1 10.00 ±0.02		
	DO NOT SCALE THE DRAWING				